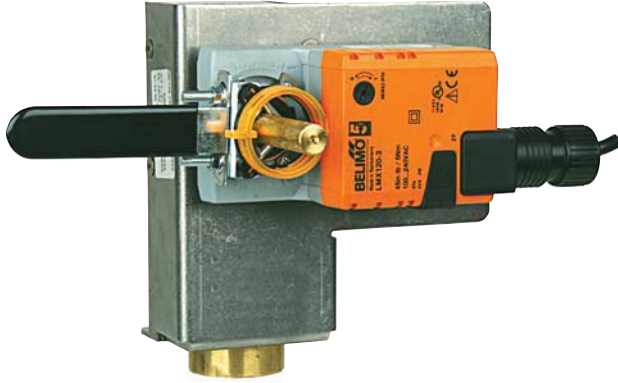


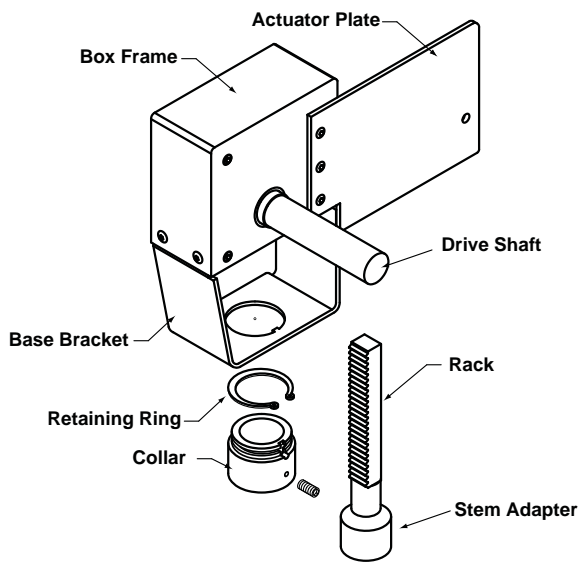
UGLK.../UGSP... Retrofit Linkage for Globe Valves

For LM and LF Series Actuators



| Technical Data | UGLK... / UGSP... |
|-------------------------|--|
| Materials: | |
| Frame, plate, base | stainless steel |
| Collar | brass |
| Drive shaft | ½" brass |
| Gears, rack | sintered steel |
| Bearing | bronze |
| Stem adaptor | brass |
| Stroke max (gear teeth) | ½" (12 teeth) |
| Mounting position | 360° mountable |
| Ambient temperature | -22°F to +122°F [-30°C to +50°C] |
| Storage temperature | -40°F to +176°F [-40°C to +80°C] |
| Servicing | chilled or hot water max steam inlet 50 psi |
| Weight | 2.8 lbs [1.3 kg] |

UGLK / UGSP Parts Breakdown



Application

The UGLK/UGSP retrofit kit is designed to easily attach to the valve bonnet on select competitor valves utilizing Belimo LM and LF series actuators. The kit is used to restore service to the valve without removal of the valve, saving down time.

The unique collar design allows the UGLK to be mounted on various two-way or three-way valves. The rack and pinion construction allow the linkage to be used with normally open and normally closed valves.

Default/Configuration

The actuator is sold separately from the linkage. This allows users to select the actuator with the desired control signal. The linkage utilizes standard air-side actuators that can be purchased at any time and mounted in the field. With the free spring design of the linkage, clearance is not an issue. The linkage can be oriented at any angle on the bonnet.

Operation

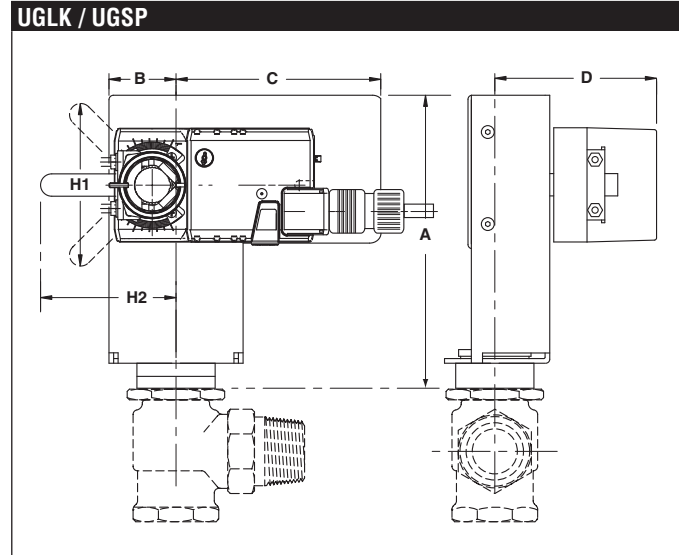
The UGLK/UGSP linkage provides approximately ½" of downward stroke with 95° rotation on the actuator. The linkage travel is based on the size of gear inside. The gear size is stamped on the frame. This allows the valve to extend fully open or closed based on signal. When directional needs vary, the actuator can be flipped or the directional switch turned to a new rotation. The compact design allows for installation in tight spaces.

| Suitable Actuators | Close-Off Ranges |
|--------------------|------------------|
| LM Series | 2-250 psi |
| LF Series | 22-250 psi |

Competitor Valves**

Honeywell
JCI
Siemens / Powers
Siebe / Invensys / TAC / Schneider

**Consult pages 93-119 of the Retrofit Technical Documentation and/or SelectPro for close-off pressures and a cross reference of each valve.



| Dimensions (Inches [mm]) | | | |
|--------------------------|------------|----|------------|
| A | 6.5" [165] | D | 4.0" [102] |
| B | 1.5" [33] | H1 | 4.0" [102] |
| C | 5.0" [127] | H2 | 3.5" [89] |

Tech.Doc - 07/14 - Subject to change. © Belimo Aircontrols (USA), Inc.



Application

The UGLK/UGSP retrofit kit is designed to easily attach to the valve bonnet on select competitor valves utilizing Belimo GK, AF, NF, GM, AM and NM series actuators. The kit is used to restore service to the valve without removal of the valve, saving down time.

The unique collar design allows the UGLK to be mounted on various two-way or three-way valves. The rack and pinion construction allow the linkage to be used with normally open and normally closed valves.

Default/Configuration

The actuator is sold separately from the linkage. This allows users to select the actuator with the desired control signal. The linkage utilizes standard air-side actuators that can be purchased at any time and mounted in the field. Due to the free spring design of the linkage, clearance is not an issue. The linkage can be oriented at any angle on the bonnet.

Operation

The UGLK/UGSP linkage provides approximately 1/2" to 1-1/2" of downward stroke with 95° rotation on the actuator. The linkage travel is based on the size of gear inside. The gear size is stamped on the frame. This allows the valve to extend fully open or closed based on signal. When directional needs vary, the actuator can be flipped or directional switch turned to a new rotation.

| Technical Data | UGLK... / UGSP... |
|-------------------------|--|
| Materials: | |
| Frame, plate, base | stainless steel |
| Collar | brass |
| Drive shaft | 3/4" brass |
| Gears, rack | sintered steel |
| Bearing | bronze |
| Stem adaptor | brass |
| Stroke max (gear teeth) | 1/2" (12 teeth) 3/4" (17 teeth) 1-1/8" (25 teeth) 1-1/2" (33 teeth) |
| Mounting position | 360° mountable |
| Ambient temperature | -22°F to +122°F [-30°C to +50°C] |
| Storage temperature | -40°F to +176°F [-40°C to +80°C] |
| Servicing | chilled or hot water, and steam |
| Weight | 5.7 lbs [2.6 kg] |

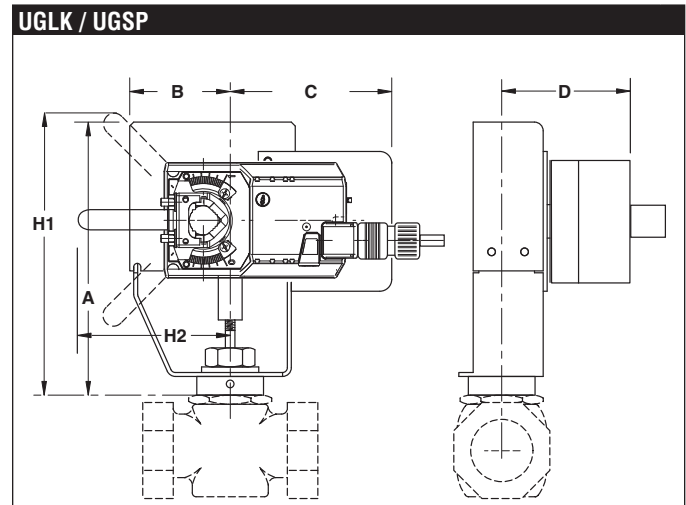
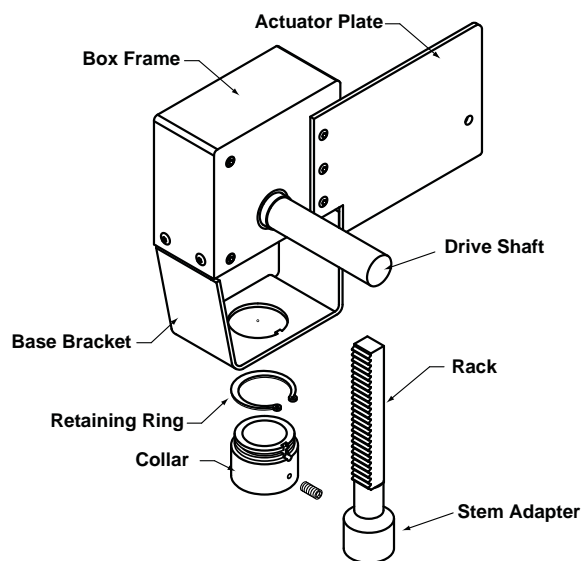
| Suitable Actuators | Close-Off Ranges |
|--------------------|------------------|
| GK Series | 10-250 psi |
| AF Series | 4-250 psi |
| NF Series | 10-250 psi |
| GM Series | 10-250 psi |
| AM Series | 4-250 psi |
| NM Series | 10-250 psi |

Competitor Valves**

Honeywell
JCI
Siemens / Powers
Siebe / Invensys / TAC / Schneider
Warren Controls

**Consult pages 93-119 of the Retrofit Technical Documentation and/or SelectPro for close-off pressures and a cross reference of each valve.

UGLK / UGSP Parts Breakdown



| Dimensions (Inches [mm]) | | | |
|--------------------------|------------------|----|------------|
| A | 9"-11" [178-356] | D | 4.0" [102] |
| B | 1.5" [33] | H1 | 4.0" [102] |
| C | 5.0" [127] | H2 | 3.5" [89] |

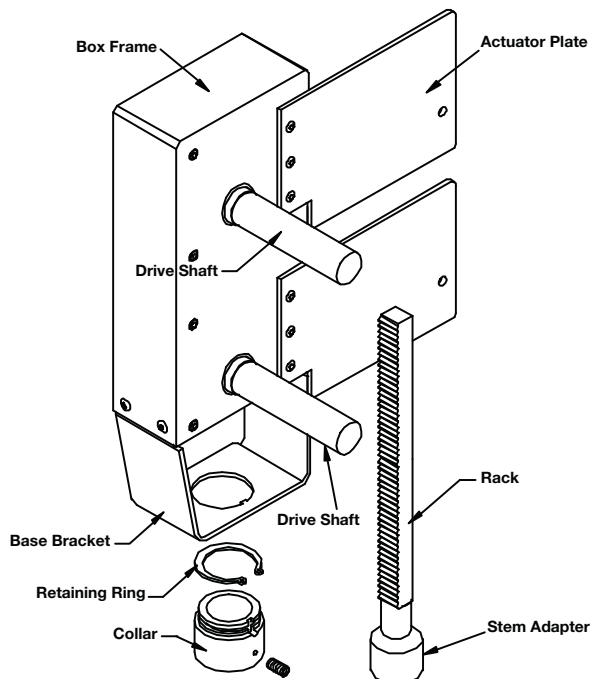
UGLK.../UGSP... Retrofit Linkage for Globe Valves

For Dual Mounted AF, GM, and GK Series Actuators



| Technical Data | | UGLK... / UGSP... |
|-------------------------|--|--|
| Materials: | | |
| Frame, plate, base | | stainless steel |
| Collar | | brass |
| Drive shaft | | 3/4" brass |
| Gears, rack | | sintered steel |
| Bearing | | bronze |
| Stem adaptor | | brass |
| Stroke max (gear teeth) | | 1/2" (12 teeth) 3/4" (17 teeth) 1-1/8" (25 teeth) 1-1/2" (33 teeth) |
| Mounting position | | 360° mountable |
| Ambient temperature | | -22°F to +122°F [-30°C to +50°C] |
| Storage temperature | | -40°F to +176°F [-40°C to +80°C] |
| Servicing | | chilled or hot water, and steam max steam inlet 50 psi |
| Weight | | 10 lbs [4.5 kg] |

UGLK / UGSP Parts Breakdown



Application

The UGLK/UGSP retrofit kit is designed to easily attach to the valve bonnet on select competitor valves utilizing tandem Belimo AF, GM, and GK series actuators when higher close-off is required. The kit is used to restore service to the valve without removal of the valve, saving down time.

The unique collar design allows the UGLK to be mounted on various two-way or three-way valves. The rack and pinion construction allow the linkage to be used with normally open and normally closed valves.

Default/Configuration

The actuator is sold separately from the linkage. This allows users to select any actuator with the desired control signal. The linkage utilizes standard air-side actuators that can be purchased at any time and mounted in the field. With the free spring design of the linkage, clearance is not an issue. The linkage can be oriented at any angle on the bonnet.

Operation

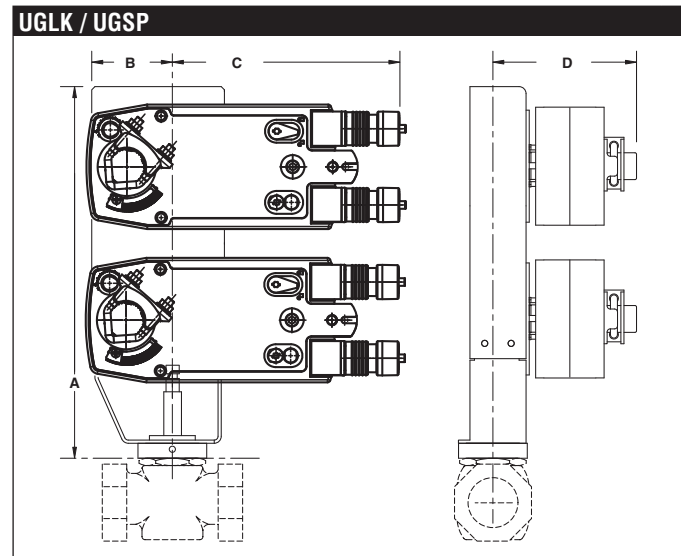
The UGLK/UGSP linkage provides approximately 1/2" to 1-1/2" of downward stroke with 95° rotation on the actuator. The linkage travel is based on the size of gear inside. The gear size is stamped on the frame. This allows the valve to extend fully open or closed based on signal. When directional needs vary, the actuators can be flipped or directional switch turned to a new rotation. Refer to Master Slave wiring for dual mounted actuators.

| Suitable Actuators | Close-Off Ranges |
|--------------------|------------------|
| 2*AF Series | 10-250 psi |
| 2*GM Series | 25-250 psi |
| 2*GK Series | 25-250 psi |

Competitor Valves**

Honeywell
JCI
Siemens / Powers
Siebe / Invensys / TAC / Schneider
Warren Controls

**Consult pages 92-134 of the Retrofit Technical Documentation and/or SelectPro for close-off pressures and a cross reference of each valve.



| Dimensions (Inches [mm]) | | | |
|--------------------------|---------------|---|----------|
| A | 13"-17" [483] | C | 9" [229] |
| B | 3" [76] | D | 5" [127] |

Tech.Doc - 07/14 - Subject to change. © Belimo Aircontrols (USA), Inc.



| Technical Data | |
|--------------------------|--|
| Service | chilled or hot water and steam |
| Applicable valve size | ½" [13], ¾" [19], 1" [25], 1-¼" [32], 1-½" [38], 2" [50] |
| Stem | slotted, threaded |
| Frame, plate, base | aluminum, steel |
| Collar | aluminum, steel, (fits bonnets up to 1.7" dia.) |
| Stem adaptor | aluminum |
| Stroke | 0.75" [20mm] |
| Mounting position | 360° |
| Media temp range (water) | 20°F to 250°F [-7°C to +120°C] |
| Media temp range (steam) | 32°F to 388°F [0°C to 170°C] |
| Weight | 1.9 lbs |

Application

The UGVL retrofit kit is designed to easily attach LV and SV series actuators to select globe valves. Its unique adjustable design allows the UGVL to be mounted on ½" to 2" two-way or three-way valves in both normally open and normally closed configurations.

Default/Configuration

The default set up for a UGVL linkage will be factory installed along with a LV or SV series actuator. Included in the kit will be all the necessary hardware to facilitate mounting to the valve.

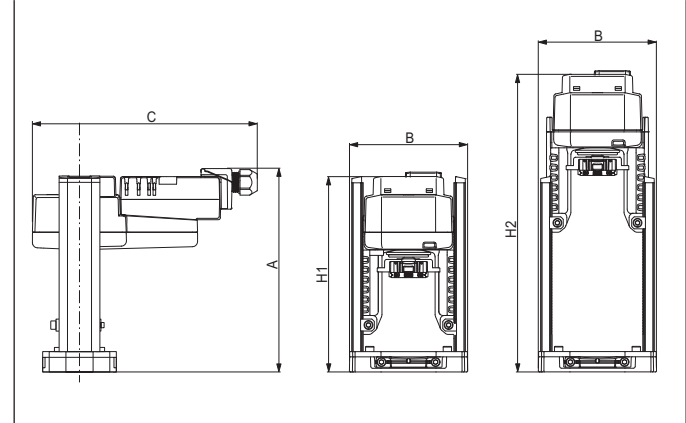
Operation

The UGVL linkage with actuator will provide 20 mm of linear travel to accommodate a wide range of valves.

Suitable Actuators

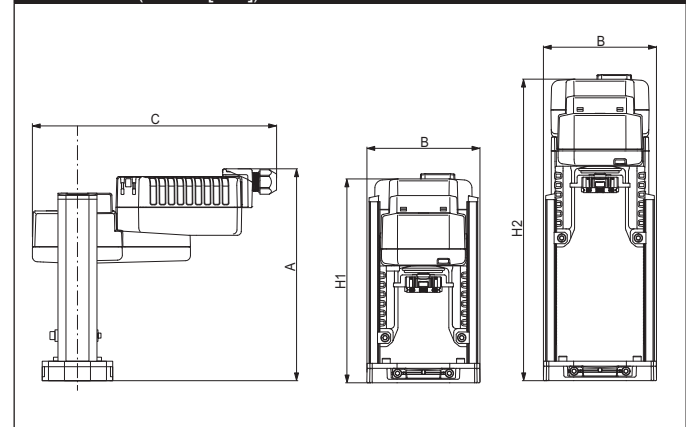
| Linkage | Non-Spring Return | Electronic Fail-Safe |
|---------|-------------------|----------------------|
| UGVL | LV, SV | LVK, SVK |

Dimensions (Inches [mm]) with LV and SV Series Actuators



| A | B | C | H1 | H2 |
|------------|------------|-------------|------------|-------------|
| 8" [203.2] | 4.4" [113] | 8.60" [218] | 7.5" [190] | 11.4" [290] |

Dimensions (Inches [mm]) with LVK and SVK Series Actuators



| A | B | C | H1 | H2 |
|------------|------------|------------|------------|-------------|
| 8.5" [217] | 4.4" [113] | 9.6" [244] | 8.4" [207] | 12.1" [307] |

Application Notes

**Consult pages 93-119 of the Retrofit Technical Documentation and/or SelectPro for close-off pressures and a cross reference of each valve.



| Technical Data | |
|--------------------------|---|
| Service | chilled or hot water and steam |
| Applicable valve size | 2½" [64], 3" [80], 4" [101], 5" [127], 6" [152] |
| Stem | 316 stainless steel |
| Frame, plate, base | aluminum, steel (fits competitor bonnets up to 2.3" dia.) |
| Collar | aluminum |
| Coupling | GF nylon, supplied |
| Housing material | aluminum die cast and plastic casing |
| Stem adaptor | steel/aluminum |
| Stroke | 1.25" [32 mm] AVK, 2" [50 mm] EV/RV |
| Mounting position | 360° |
| Media temp range (water) | 20°F to 250°F [-7°C to +120°C] |
| Media temp range (steam) | 32°F to 388°F [0°C to 170°C] |
| Weight | 5 lbs |

Application

The FGVL retrofit kit is designed to easily attach AVK, EV, and RV series actuators to select flanged globe valves requiring larger stem travels and higher forces. Its casted base and lower locking clamp allow the FGVL to be mounted on 2½" to 6" two-way or three-way valves in both normally open and normally closed configurations.

Default/Configuration

The default set up for a FGVL linkage will be factory installed along with an AVK, EV, or RV series actuator. Included in the kit will be all the necessary hardware to facilitate mounting to the valve.

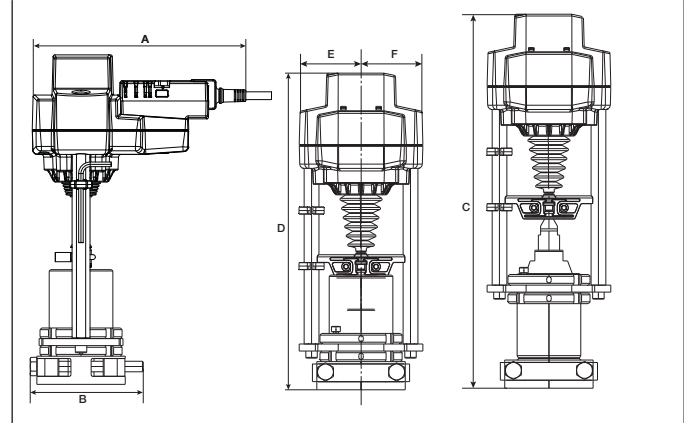
Operation

The FGVL linkage with actuator will provide up to 2" [50 mm] of linear travel to accommodate a wide range of valves.

Suitable Actuators

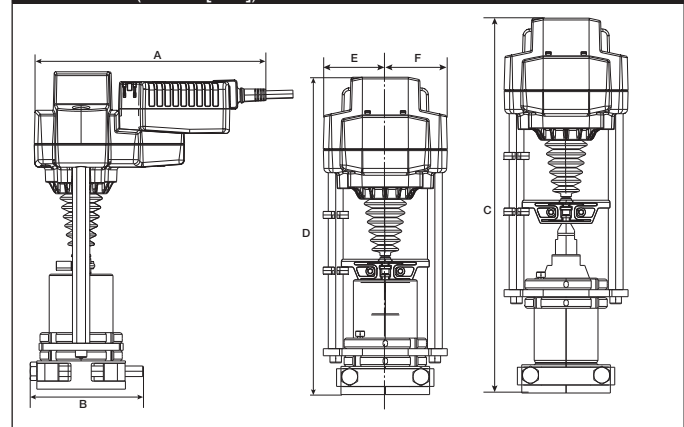
| Linkage | Non-Spring Return | Electronic Fail-Safe |
|---------|-------------------|----------------------|
| FGVL | EVB(X), RVB(X) | AVKB(X) |

Dimensions (Inches [mm]) with EV and RV Series Actuators



| A | B | C | D | E | F |
|------------|-------------|--------------|--------------|------------|---|
| 9.2" [234] | 5.00" [127] | 16.33" [425] | 14.00" [356] | 2.78" [71] | |

Dimensions (Inches [mm]) with AVK Series Actuators



| A | B | C | D | E | F |
|--------------|-------------|--------------|--------------|------------|---|
| 10.25" [260] | 5.00" [127] | 16.73" [425] | 14.00" [356] | 2.78" [71] | |

Application Notes

**Consult pages 93-119 of the Retrofit Technical Documentation and/or SelectPro for close-off pressures and a cross reference of each valve.

How to Select a Globe Valve Retrofit Solution

Follow the four steps listed below when ordering a globe valve retrofit kit for either UGLK or GVL series linkages.

Example: Siemens 658 series, 1¼” valve, needing **200 psi** close-off pressure and **Fail-Safe** actuation.

- Based on the **Valve Number, Configuration and Size**, select the proper linkage or linkages for your valve.
Some valves will have more than one linkage offered, use the actuator or combination pages to determine the appropriate linkage for a given application. In this example there is a **UGLK1214**, **UGLK1350** and a **UGVL** series linkage available.
- Use the selection guide and your close-off pressure requirement to select the correct actuator series for your application. Looking at the **UGLK1350** there are no fail-safe actuators that will achieve 200 psi close-off for 1¼” valve. Looking at the **UGLK1214** or **UGVL**, the **AF** or **SVK** Series actuator will provide over **200 psi close-off** for the 1¼” valve.
- Use the actuator listings to make your final actuator selection.

- HOW TO ORDER:

| | |
|--------------------|---------------|
| Option One: | |
| Item 1 | 1pc UGLK1214 |
| Item 2 | 1pc AFB24-MFT |

| | |
|--------------------|-----------------------|
| Option Two: | |
| Item 1 | 1pc UGVL + SVKX24-MFT |



1 Select linkage solution based on the **Valve Number, Configuration, and Size**; select the proper **Linkage Solution** for your valve.

Siemens\Landis\Powers 658 Series Valves Linkage/Actuator Selection Guide

| Valve Body Model | Valve Configuration | Size | Fail-safe | Close-Off psi | Belimo Actuator Series | Belimo Linkage |
|------------------|---------------------|------|-----------|---------------|------------------------|----------------|
| 658 Series | 2-way | 1¼” | No | 78 | LM | UGLK1350 |
| | | | | 156 | NM | UGLK1350 |
| | | | | 236 | SV | UGVL |
| | | | Yes | 250 | AM | UGLK1214 |
| | | | | 61 | LF | UGLK1350 |
| | | | | 156 | NF | UGLK1214 |
| | | | 236 | SVK | UGVL | |
| | | | 250 | AF | UGLK1214 | |

Example: **Siemens Series #658, 2-Way, 1¼”** valve to be retrofitted.

Choose correct kit **UGLK1214** or **UGVL**.

- Verify close-off is suitable for application. Looking at the **UGLK** or **UGVL**, the **AF** and **SVK** Series actuator will provide **200 psi close-off** for the 1¼” valve.

BASIC PRODUCTS

| Model | Control Input | Feedback | Power Supply | Running Time(s) | | VA Rating | Auxiliary Switch |
|-------------|-------------------|----------|--------------|-----------------|----------|-----------|------------------|
| | | | | M | ⊙ | | |
| AFB24 | On/Off | - | 24 VAC/DC | <75 seconds | 20 secs | 7.5 | - |
| AFB24-S | On/Off | - | 24 VAC/DC | <75 seconds | 20 secs | 7.5 | Built-In |
| AFBUP | On/Off | - | 24-240 VAC | <75 seconds | 20 secs | 8.5 | - |
| AFBUP-S | On/Off | - | 24-240 VAC | <75 seconds | 20 secs | 8.5 | Built-In |
| AFB24-SR | 2-10 VDC (4-20mA) | 2-10 VDC | 24 VAC/DC | 95 seconds | <20 secs | 8.5 | - |
| AFB24-SR-S | 2-10 VDC (4-20mA) | 2-10 VDC | 24 VAC/DC | 95 seconds | <20 secs | 8.5 | Built-In |
| AFB24-PC | 0-10 V Phasecut | 2-10 VDC | 24 VAC/DC | 150 seconds | <20 secs | 10 | - |
| AFB24-MFT | 2-10 VDC (4-20mA) | 2-10 VDC | 24 VAC/DC | 150 seconds | <20 secs | 10 | - |
| AFB24-MFT-S | 2-10 VDC (4-20mA) | 2-10 VDC | 24 VAC/DC | 150 seconds | <20 secs | 10 | Built-In |
| AFB24-MFT95 | 0 to 135 | 2-10 VDC | 24 VAC/DC | 150 seconds | <20 secs | 10 | - |

- Select actuator based on needed control type. Decide between **AFB24**, **AFB24-MFT**

or **SVKX24-3**, **SVKX24-MFT**.

- Complete Ordering Example
Option One:
Item 1: **UGLK1214**
Item 2: **AFB24-MFT**

- Complete Ordering Example
Option Two:
Item 1: **UGVL + SVKX24-MFT**

| ACTUATOR PART # | LVKX24-3 | LVKB24-SR | LVKX24-MFT | SVKX24-3 | SVKB24-SR | SVKX24-MFT |
|-------------------------|-------------------------------------|--------------|------------------|------------------------|--------------|------------------|
| Control type | On/Off, Floating Point | Proportional | Proportional/MFT | On/Off, Floating Point | Proportional | Proportional/MFT |
| Input signal / Feedback | - | 2-10 VDC | Variable | - | 2-10 VDC | Variable |
| Running time | Motor 150 seconds | 150 seconds | Variable | 150 seconds | 150 seconds | Variable |
| Actuator travel | Fail-Safe 35 seconds | 35 seconds | 35 seconds | 35 seconds | 35 seconds | 35 seconds |
| Actuator noise level | 24mm | 24mm | 24mm | 24mm | 24mm | 24mm |
| | <45 dB(A) | <45 dB(A) | <45 dB(A) | <45 dB(A) | <45 dB(A) | <45 dB(A) |
| GVL LINKAGES | | | | | | |
| UGVL | Universal Adjustable for 1/2” to 2” | \$ | \$ | \$ | \$ | \$ |
| SGVL | Schnieder VB7... VB9... | \$ | \$ | \$ | \$ | \$ |

Tech.Doc - 07/14 - Subject to change. © Belimo Aircontrols (USA), Inc.

ROTARY ACTUATORS

| SERIES | MODEL | Spring Return | Electronic Fail-Safe | Tandem Mounting Available | Control Input | Feedback Position | Power Supply | Standard Running Time |
|------------|--------------|---------------|----------------------|---------------------------|-------------------------------|-------------------|--------------|------------------------|
| LF Series* | LF24 US | • | | | On/Off | - | 24 VAC/DC | Consult Specifications |
| | LF24-MFT US | • | | | Variable with MFT | Variable VDC | 24 VAC/DC | |
| NF Series* | NFBUP-X1 | • | | | On/Off | - | 24-240 VAC | |
| | NFX24-MFT | • | | | (24 VAC/DC) Variable with MFT | Variable VDC | 24 VAC/DC | |
| AF Series* | AFBUP-X1 | • | | • | On/Off | - | 24-240 VAC | |
| | AFX24-MFT-X1 | • | | • | Variable with MFT | Variable VDC | 24 VAC/DC | |
| LM Series* | LMB24-3-X1 | | | | Floating Point, On/Off | - | 24 VAC/DC | |
| | LMX24-MFT-X1 | | | | Variable with MFT | Variable VDC | 24 VAC/DC | |
| NM Series* | NMB24-3-X1 | | | | Floating Point, On/Off | - | 24 VAC/DC | |
| | NMX24-MFT-X1 | | | | Variable with MFT | Variable VDC | 24 VAC/DC | |
| AM Series* | AMB24-3-X1 | | | | Floating Point, On/Off | - | 24 VAC/DC | |
| | AMX24-MFT-X1 | | | | Variable with MFT | Variable VDC | 24 VAC/DC | |
| GM Series* | GMB24-3-X1 | | | • | Floating Point, On/Off | - | 24 VAC/DC | |
| | GMX24-MFT-X1 | | | • | Variable with MFT | Variable VDC | 24 VAC/DC | |
| GK Series* | GKB24-3-X1 | | • | | Floating Point, On/Off | - | 24 VAC/DC | |
| | GKX24-MFT-X1 | | • | • | Variable with MFT | Variable VDC | 24 VAC/DC | |

*Please consult the Damper section of the Product Guide and Price List for a full list of product offerings. Standard run times should be considered in the selection. All air side products are applicable for retrofit kits. Select "X1" actuators come with a handle.

LINEAR ACTUATORS**

| SERIES | MODEL | Fail-Safe | Control Input | Feedback Position | Power Supply | Standard Running Time* | Force |
|------------|------------|-----------|----------------------|-------------------|--------------|------------------------|---------|
| LV Series | LVB24-3 | No | Floating Pt., On/Off | N/A | 24 VAC/DC | 90 seconds | 112 lbf |
| | L VX120-3 | No | Floating Pt., On/Off | N/A | 120-240 VAC | 90 seconds | 112 lbf |
| | LVBSR-SR | No | 2-10 VDC | 2-10 VDC | 24 VAC/DC | 90 seconds | 112 lbf |
| | L VX24-MFT | No | Variable with MFT | Variable VDC | 24 VAC/DC | 90 seconds | 112 lbf |
| LVK Series | LVKX24-3 | Yes | Floating Pt., On/Off | N/A | 24 VAC | 90 seconds | 112 lbf |
| | LVKX120-3 | Yes | Floating Pt., On/Off | N/A | 120-240 VAC | 90 seconds | 112 lbf |
| | LVKBSR-SR | Yes | 2-10 VDC | 2-10 VDC | 24 VAC/DC | 90 seconds | 112 lbf |
| | LVKX24-MFT | Yes | Variable with MFT | Variable VDC | 24 VAC/DC | 90 seconds | 112 lbf |
| SV Series | SVX24-3 | No | Floating Pt., On/Off | N/A | 24 VAC/DC | 90 seconds | 337 lbf |
| | SVX120-3 | No | Floating Pt., On/Off | N/A | 120-240 VAC | 90 seconds | 337 lbf |
| | SVBSR-SR | No | 2-10 VDC | 2-10 VDC | 24 VAC/DC | 90 seconds | 337 lbf |
| | SVX24-MFT | No | Variable with MFT | Variable VDC | 24 VAC/DC | 90 seconds | 337 lbf |
| SVK Series | SVKX24-3 | Yes | Floating Pt., On/Off | N/A | 24 VAC | 90 seconds | 337 lbf |
| | SVKX120-3 | Yes | Floating Pt., On/Off | N/A | 120-240 VAC | 90 seconds | 337 lbf |
| | SVKBSR-SR | Yes | 2-10 VDC | 2-10 VDC | 24 VAC/DC | 90 seconds | 337 lbf |
| | SVKX24-MFT | Yes | Variable with MFT | Variable VDC | 24 VAC/DC | 90 seconds | 337 lbf |
| AV Series | AVKB24-3 | Yes | Floating Pt., On/Off | N/A | 24 VAC | 90 seconds | 450 lbf |
| | AVKB120-3 | Yes | Floating Pt., On/Off | N/A | 120-240 VAC | 90 seconds | 450 lbf |
| | AVKB24-MFT | Yes | Variable with MFT | Variable VDC | 24 VAC/DC | 90 seconds | 450 lbf |
| EV Series | EVB24-3 | No | Floating Pt., On/Off | N/A | 24 VAC/DC | 90 seconds | 562 lbf |
| | EVB120-3 | No | Floating Pt., On/Off | N/A | 120-240 VAC | 90 seconds | 562 lbf |
| | EVB24-MFT | No | Variable with MFT | Variable VDC | 24 VAC/DC | 90 seconds | 562 lbf |
| RV Series | RVB24-3 | No | Floating Pt., On/Off | N/A | 24 VAC/DC | 90 seconds | 562 lbf |
| | RVB24-MFT | No | Variable with MFT | Variable VDC | 24 VAC/DC | 90 seconds | 562 lbf |

* Other speeds available on request. ** Sold as an assembly with linkage.

MULTI-FUNCTION TECHNOLOGY

| | PROGRAMMING CODE | Control Input | Running Time | Built-in Feedback |
|-----------------|------------------|-----------------------|--------------|-------------------|
| ROTARY ACTUATOR | P-10001 A01 | 2-10 VDC | 150 seconds | 2-10 VDC |
| | P-10002 A02 | 0.5-10 VDC | 150 seconds | 0.5-10 VDC |
| | P-10028 A28 | 0.5-10 VDC | 150 seconds | 0.5-10 VDC |
| | P-10063 A63 | 0.5-4.5 VDC | 150 seconds | 0.5-4.5 VDC |
| | P-10064 A64 | 5.5-10 VDC | 150 seconds | 5.5-10 VDC |
| | P-20002 W02 | 0.02-5.00 seconds PWM | 150 seconds | 2-10 VDC |
| | P-20003 W03 | 0.10-25.5 seconds PWM | 150 seconds | 2-10 VDC |
| | P-30001 F01 | Floating Point | 150 seconds | 2-10 VDC |
| | P-40002 J02 | On/Off | 150 seconds | 2-10 VDC |
| LINEAR ACTUATOR | G43 | 2-10 VDC | 90 seconds | 2-10 VDC |
| | G53 | 0.5-10 VDC | 90 seconds | 0.5-10 VDC |
| | W3M | 0.02-5.00 seconds PWM | 90 seconds | 2-10 VDC |
| | G13 | Floating Point | 90 seconds | 2-10 VDC |
| | G03 | On/Off | 90 seconds | 2-10 VDC |



Honeywell

VP52..., VP531, VGF Series Valves
Linkage/Actuator Selection Guide

Johnson Controls

V52... Series Valves
Linkage/Actuator Selection Guide

| Valve Body Model | Size | Fail-Safe | Close-Off psi | Belimo Actuator Series | Belimo Linkage | |
|-------------------------|----------------|-----------|---------------|------------------------|----------------|----------|
| VP526 Series | ½" | Yes | 50 | TF | UGLK1808 | |
| | 5/8" | No | 58 | CM | UGLK1808 | |
| Yes | | TF | | UGLK1808 | | |
| VP527 Series | ½" | No | 45 | CM | UGLK1808 | |
| | | Yes | | TF | UGLK1808 | |
| VP531 Series | ½" | No | 70 | CM | UGLK1808 | |
| | | Yes | | TF | UGLK1808 | |
| | ¾" | No | 70 | CM | UGLK1808 | |
| | | Yes | | TF | UGLK1808 | |
| | 5/8" | No | 70 | CM | UGLK1808 | |
| | | Yes | | TF | UGLK1808 | |
| | 7/8" | No | 70 | CM | UGLK1808 | |
| | | Yes | | TF | UGLK1808 | |
| VGF2... Series | 2½" | Yes | 52 | AVK | FGVL | |
| | | No | | EV | FGVL | |
| | 3" | Yes | 40 | AVK | FGVL | |
| | | No | | EV | FGVL | |
| | 4" | Yes | 22 | AVK | FGVL | |
| | | No | | EV | FGVL | |
| | 5" | Yes | 14 | AVK | FGVL | |
| | | No | | RV | FGVL | |
| | 6" | Yes | 10 | AVK | FGVL | |
| | | No | | RV | FGVL | |
| | VGF3... Series | 2½" | Yes | 52 | AVK | FGVL |
| | | | No | | EV | FGVL |
| 3" | | Yes | 40 | AVK | FGVL | |
| | | No | | EV | FGVL | |
| 4" | | Yes | 22 | AVK | FGVL | |
| | | No | | EV | FGVL | |
| 5" | | Yes | 14 | AVK | FGVL | |
| | | No | | RV | FGVL | |
| 6" | | Yes | 10 | AVK | FGVL | |
| | | No | | RV | FGVL | |
| JOHNSON CONTROLS | | | | | | |
| V-5252-(12, 13, 35) | | 3" | Yes | 52 | 2*AF | UGLK1476 |
| | Yes | | AVK | | FGVL | |
| | No | | EV | | FGVL | |
| | Yes | | 26 | | AF | UGLK1410 |
| | Yes | | 93 | | 2*GK | UGLK1476 |
| V-5252-(14, 36) | 4" | No | 14 | RV | FGVL | |
| | | Yes | | 14 | AF | UGLK1410 |
| | | Yes | | 52 | 2*GK | UGLK1476 |
| | | No | | RV | FGVL | |
| | | Yes | | 26 | 2*AF | UGLK1476 |
| | | Yes | | 26 | AVK | FGVL |
| V-5252-17 | 5" | No | 10 | EV | FGVL | |
| | | Yes | | 14 | AF | UGLK1414 |
| | | Yes | | 14 | 2*AF | UGLK1480 |
| | | Yes | | 22 | GK | UGLK1414 |
| | | No | | 22 | 2*GK | UGLK1480 |
| V-5252-18 | 5" | Yes | 10 | RV | FGVL | |
| | | Yes | | 10 | AF | UGLK1414 |
| | | No | | 14 | 2*AF | UGLK1480 |
| | | Yes | | 14 | EV | FGVL |
| | | Yes | | 22 | GK | UGLK1414 |
| V-5252-19 | 6" | Yes | 22 | 2*GK | UGLK1480 | |
| | | No | | RV | FGVL | |
| | | Yes | | 10 | 2*AF | UGLK1480 |
| | | Yes | | 10 | EV | FGVL |
| | | No | | 22 | GK | UGLK1414 |

Tech.Doc - 07/14 - Subject to change. © Belimo Aircontrols (USA), Inc.

All close-off pressures listed are approximate and based on valve condition and application.

Johnson Controls

V-52..., V-54... Series Valves

Linkage/Actuator Selection Guide



| Valve Body Model | Size | Fail-Safe | Close-Off psi | Belimo Actuator Series | Belimo Linkage |
|------------------|------|-----------|---------------|------------------------|----------------|
| V-5252-38 | 5" | Yes | 10 | AF | UGLK1414 |
| | | Yes | 14 | 2*AF | UGLK1480 |
| | | No | | EV | FGVL |
| | | Yes | | GK | UGLK1414 |
| | | Yes | 22 | 2*GK | UGLK1480 |
| No | RV | FGVL | | | |
| V-5252-39 | 6" | Yes | 10 | 2*AF | UGLK1480 |
| | | No | | EV | FGVL |
| | | Yes | | GK | UGLK1414 |
| | | Yes | 22 | 2*GK | UGLK1480 |
| | | No | | RV | FGVL |
| V-5462-11 | 4" | Yes | 14 | AF | UGLK1410 |
| | | Yes | 52 | 2*GK | UGLK1476 |
| | | No | | RV | FGVL |
| | | Yes | 26 | 2*AF | UGLK1476 |
| | | Yes | | AVK | FGVL |
| No | EV | FGVL | | | |
| V-5462-12 | 4" | Yes | 14 | AF | UGLK1410 |
| | | Yes | 52 | 2*GK | UGLK1476 |
| | | No | | RV | FGVL |
| | | Yes | 26 | 2*AF | UGLK1476 |
| | | Yes | | AVK | FGVL |
| No | EV | FGVL | | | |
| V-5462-15 | 5" | Yes | 10 | AF | UGLK1414 |
| | | Yes | 14 | 2*AF | UGLK1480 |
| | | No | | EV | FGVL |
| | | Yes | | GK | UGLK1414 |
| | | Yes | 22 | 2*GK | UGLK1480 |
| No | RV | FGVL | | | |
| V-5462-16 | 5" | Yes | 10 | AF | UGLK1414 |
| | | Yes | 14 | 2*AF | UGLK1480 |
| | | No | | EV | FGVL |
| | | Yes | | GK | UGLK1414 |
| | | Yes | 22 | 2*GK | UGLK1480 |
| No | RV | FGVL | | | |
| V-5462-17 | 6" | Yes | 10 | 2*AF | UGLK1480 |
| | | No | | EV | FGVL |
| | | Yes | | GK | UGLK1414 |
| | | Yes | 22 | 2*GK | UGLK1480 |
| | | No | | RV | FGVL |
| V-5462-18 | 6" | Yes | 10 | 2*AF | UGLK1480 |
| | | No | | EV | FGVL |
| | | Yes | | GK | UGLK1414 |
| | | Yes | 22 | 2*GK | UGLK1480 |
| | | No | | RV | FGVL |
| V-5462-35 | 3" | Yes | 52 | 2*AF | UGLK1476 |
| | | Yes | | AVK | FGVL |
| | | No | | EV | FGVL |
| | | Yes | 26 | AF | UGLK1410 |
| | | Yes | | 2*GK | UGLK1476 |
| No | 93 | RV | FGVL | | |
| V-5462-37 | 4" | Yes | 14 | AF | UGLK1410 |
| | | Yes | 52 | 2*GK | UGLK1476 |
| | | No | | RV | FGVL |
| | | Yes | 26 | 2*AF | UGLK1476 |
| | | Yes | | AVK | FGVL |
| No | EV | FGVL | | | |
| V-5462-39 | 5" | Yes | 10 | AF | UGLK1414 |
| | | Yes | 14 | 2*AF | UGLK1480 |
| | | No | | EV | FGVL |
| | | Yes | | GK | UGLK1414 |
| | | Yes | 22 | 2*GK | UGLK1480 |
| No | RV | FGVL | | | |

All close-off pressures listed are approximate and based on valve condition and application.



Johnson Controls
V-54...V-58... Series Valves
Linkage/Actuator Selection Guide

| Valve Body Model | Size | Fail-Safe | Close-Off psi | Belimo Actuator Series | Belimo Linkage | | |
|------------------|------|-----------|---------------|------------------------|----------------|----------|----------|
| V-5462-40 | 6" | Yes | 10 | 2*AF | UGLK1480 | | |
| | | No | | EV | FGVL | | |
| | | Yes | 22 | GK | UGLK1414 | | |
| | | No | | 2*GK | UGLK1480 | | |
| V-5462-8 | 3" | Yes | 52 | RV | FGVL | | |
| | | Yes | | 2*AF | UGLK1476 | | |
| | | No | 26 | AVK | FGVL | | |
| | | Yes | | AF | UGLK1410 | | |
| | | Yes | 93 | 2*GK | UGLK1476 | | |
| | | No | | RV | FGVL | | |
| V-5462-9 | 3" | Yes | 52 | 2*AF | UGLK1476 | | |
| | | Yes | | AVK | FGVL | | |
| | | No | 26 | EV | FGVL | | |
| | | Yes | | AF | UGLK1410 | | |
| | | Yes | 93 | 2*GK | UGLK1476 | | |
| | | No | | RV | FGVL | | |
| V-5842-10 | 3" | Yes | 52 | 2*AF | UGLK1476 | | |
| | | Yes | | AVK | FGVL | | |
| | | No | 26 | EV | FGVL | | |
| | | Yes | | AF | UGLK1410 | | |
| | | Yes | 93 | 2*GK | UGLK1476 | | |
| | | No | | RV | FGVL | | |
| V-5842-13 | 5" | Yes | 10 | 2*AF | UGLK1414 | | |
| | | Yes | 14 | AF | UGLK1480 | | |
| | | No | 14 | EV | FGVL | | |
| V-5842-13 | 5" | Yes | 14 | GK | UGLK1414 | | |
| | | Yes | 22 | 2*GK | UGLK1480 | | |
| | | No | 22 | RV | FGVL | | |
| V-5842-14 | 5" | Yes | 10 | AF | UGLK1414 | | |
| | | Yes | | 2*AF | UGLK1480 | | |
| | | No | 14 | EV | FGVL | | |
| | | Yes | | GK | UGLK1414 | | |
| | | Yes | 22 | 2*GK | UGLK1480 | | |
| | | No | | RV | FGVL | | |
| V-5842-15 | 6" | Yes | 10 | 2*AF | UGLK1480 | | |
| | | No | | EV | FGVL | | |
| | | Yes | 22 | GK | UGLK1414 | | |
| | | Yes | | 2*GK | UGLK1480 | | |
| | | No | 22 | RV | FGVL | | |
| | | Yes | | 10 | 2*AF | UGLK1480 | |
| V-5842-16 | 6" | No | 10 | EV | FGVL | | |
| | | Yes | | GK | UGLK1414 | | |
| | | Yes | 22 | 2*GK | UGLK1480 | | |
| | | No | | RV | FGVL | | |
| | | V-5842-32 | 3" | Yes | 52 | 2*AF | UGLK1476 |
| | | | | Yes | | AVK | FGVL |
| No | 26 | | | EV | FGVL | | |
| Yes | | | | AF | UGLK1410 | | |
| Yes | 93 | | | 2*GK | UGLK1476 | | |
| No | | | | RV | FGVL | | |
| V-5842-35 | 5" | Yes | 10 | 2*AF | UGLK1414 | | |
| | | Yes | | 2*AF | UGLK1480 | | |
| | | No | 14 | EV | FGVL | | |
| | | Yes | | GK | UGLK1414 | | |
| | | Yes | 22 | 2*GK | UGLK1480 | | |
| | | No | | RV | FGVL | | |
| V-5842-36 | 6" | Yes | 10 | 2*AF | UGLK1480 | | |
| | | No | | EV | FGVL | | |
| | | Yes | 22 | GK | UGLK1414 | | |
| | | Yes | | 2*GK | UGLK1480 | | |
| | | No | RV | FGVL | | | |

Tech.Doc - 07/14 - Subject to change. © Belimo Aircontrols (USA), Inc.

All close-off pressures listed are approximate and based on valve condition and application.

Johnson Controls

V-58..., VB-37..., VB-39..., VB-43... Series Valves

Linkage/Actuator Selection Guide



| Valve Body Model | Size | Fail-Safe | Close-Off psi | Belimo Actuator Series | Belimo Linkage |
|------------------|------|-----------|---------------|------------------------|----------------|
| V-5842-9 | 3" | Yes | 52 | 2*AF | UGLK1476 |
| | | Yes | | AVK | FGVL |
| | | No | | EV | FGVL |
| | | Yes | | AF | UGLK1410 |
| | | Yes | | 2*GK | UGLK1476 |
| | | No | | RV | FGVL |
| VB-3752-22 | 3" | Yes | 60 | AVK | FGVL |
| | | No | 70 | EV | FGVL |
| | | Yes | 52 | 2*AF | UGLK1476 |
| | | Yes | 26 | AF | UGLK1410 |
| | | Yes | 93 | 2*GK | UGLK1476 |
| | | No | RV | FGVL | |
| VB-3752-25 | 4" | Yes | 14 | AF | UGLK1410 |
| | | Yes | 30 | AVK | FGVL |
| | | No | 40 | EV | FGVL |
| | | Yes | 52 | 2*GK | UGLK1476 |
| | | No | RV | FGVL | |
| | | Yes | 26 | 2*AF | UGLK1476 |
| VB-3752-28 | 5" | Yes | 10 | AF | UGLK1414 |
| | | Yes | 14 | 2*AF | UGLK1480 |
| | | No | | EV | FGVL |
| | | Yes | | GK | UGLK1414 |
| | | Yes | 22 | 2*GK | UGLK1480 |
| | | No | RV | FGVL | |
| VB-3752-31 | 6" | Yes | 10 | 2*AF | UGLK1480 |
| | | No | | EV | FGVL |
| | | Yes | | GK | UGLK1414 |
| | | Yes | 22 | 2*GK | UGLK1480 |
| | | No | RV | FGVL | |
| | | Yes | 22 | 2*AF | UGLK1476 |
| VB-3970-14 | 3" | Yes | 52 | AVK | FGVL |
| | | No | | EV | FGVL |
| | | Yes | | AF | UGLK1410 |
| | | Yes | 26 | 2*GK | UGLK1476 |
| | | No | 93 | RV | FGVL |
| | | Yes | 14 | AF | UGLK1410 |
| VB-3970-17 | 4" | Yes | 52 | 2*GK | UGLK1476 |
| | | No | RV | FGVL | |
| | | Yes | 26 | 2*AF | UGLK1476 |
| | | Yes | | AVK | FGVL |
| | | No | | EV | FGVL |
| | | Yes | 10 | AF | UGLK1414 |
| VB-3970-20 | 5" | Yes | 14 | 2*AF | UGLK1480 |
| | | No | | EV | FGVL |
| | | Yes | | GK | UGLK1414 |
| | | Yes | 22 | 2*GK | UGLK1480 |
| | | No | RV | FGVL | |
| | | Yes | 10 | 2*AF | UGLK1480 |
| VB-3970-23 | 6" | No | 10 | EV | FGVL |
| | | Yes | | GK | UGLK1414 |
| | | Yes | | 2*GK | UGLK1480 |
| | | No | 22 | RV | FGVL |
| | | Yes | 52 | 2*AF | UGLK1476 |
| | | No | | EV | FGVL |
| Yes | 26 | AF | | UGLK1410 | |
| VB-4322-11 | 3" | Yes | 93 | 2*GK | UGLK1476 |
| | | No | | RV | FGVL |
| | | Yes | | 14 | AF |
| | | Yes | 52 | 2*GK | UGLK1476 |
| | | No | RV | FGVL | |
| | | Yes | 26 | 2*AF | UGLK1476 |
| VB-4322-13 | 4" | Yes | 26 | AVK | FGVL |
| | | Yes | | EV | FGVL |
| | | No | | 93 | 2*GK |
| | | Yes | 14 | AF | UGLK1410 |
| | | Yes | 52 | 2*GK | UGLK1476 |
| | | No | RV | FGVL | |

All close-off pressures listed are approximate and based on valve condition and application.



| Valve Body Model | Size | Fail-Safe | Close-Off psi | Belimo Actuator Series | Belimo Linkage |
|------------------|------|-----------|---------------|------------------------|----------------|
| VB-4322-18 | 6" | Yes | 10 | 2*AF | UGLK1480 |
| | | No | | EV | FGVL |
| | | Yes | 22 | GK | UGLK1414 |
| | | No | | 2*GK | UGLK1480 |
| VB-4322-19 | 5" | Yes | 10 | RV | FGVL |
| | | Yes | | AF | UGLK1414 |
| | | No | 14 | 2*AF | UGLK1480 |
| | | Yes | | EV | FGVL |
| VG2231 UM | 3" | Yes | 52 | GK | UGLK1414 |
| | | No | | 2*GK | UGLK1480 |
| | | Yes | 22 | RV | FGVL |
| | | No | | AVK | FGVL |
| VG2231 VM | 4" | Yes | 93 | EV | FGVL |
| | | No | | RV | FGVL |
| | | Yes | 26 | RV | FGVL |
| | | No | | AVK | FGVL |
| VG2231 WN | 5" | Yes | 14 | EV | FGVL |
| | | No | | RV | FGVL |
| | | Yes | 22 | RV | FGVL |
| | | No | | EV | FGVL |
| VG2231 YN | 6" | Yes | 10 | EV | FGVL |
| | | No | | RV | FGVL |
| | | Yes | 22 | RV | FGVL |
| | | No | | AVK | FGVL |
| VG2431 UM | 3" | Yes | 52 | EV | FGVL |
| | | No | | RV | FGVL |
| | | Yes | 93 | RV | FGVL |
| | | No | | AVK | FGVL |
| VG2431 VM | 4" | Yes | 52 | EV | FGVL |
| | | No | | RV | FGVL |
| | | Yes | 26 | AVK | FGVL |
| | | No | | EV | FGVL |
| VG2431 WN | 5" | Yes | 14 | EV | FGVL |
| | | No | | RV | FGVL |
| | | Yes | 22 | RV | FGVL |
| | | No | | EV | FGVL |
| VG2431 YN | 6" | Yes | 10 | EV | FGVL |
| | | No | | RV | FGVL |
| | | Yes | 22 | RV | FGVL |
| | | No | | AVK | FGVL |
| VG2831 UM | 3" | Yes | 52 | EV | FGVL |
| | | No | | RV | FGVL |
| | | Yes | 93 | RV | FGVL |
| | | No | | AVK | FGVL |
| VG2831 VM | 4" | Yes | 52 | RV | FGVL |
| | | No | | EV | FGVL |
| | | Yes | 26 | AVK | FGVL |
| | | No | | EV | FGVL |
| VG2831 WN | 5" | Yes | 14 | EV | FGVL |
| | | No | | RV | FGVL |
| | | Yes | 22 | RV | FGVL |
| | | No | | EV | FGVL |
| VG2831 YN | 6" | Yes | 10 | EV | FGVL |
| | | No | | RV | FGVL |
| | | Yes | 22 | RV | FGVL |
| | | No | | AVK | FGVL |
| VG2231 UM | 3" | Yes | 52 | 2*AF | UGLK1476 |
| | | Yes | | AF | UGLK1410 |
| | | Yes | 93 | 2*GK | UGLK1476 |
| | | Yes | | 2*AF | UGLK1476 |
| VG2431 UM | 3" | Yes | 26 | AF | UGLK1410 |
| | | Yes | | 2*GK | UGLK1476 |
| | | Yes | 93 | 2*AF | UGLK1476 |
| | | Yes | | 2*AF | UGLK1476 |
| VG2831 UM | 3" | Yes | 52 | 2*AF | UGLK1476 |
| | | Yes | | AF | UGLK1410 |
| | | Yes | 93 | 2*GK | UGLK1476 |
| | | Yes | | 2*GK | UGLK1476 |
| VG2231 VM | 4" | Yes | 14 | AF | UGLK1410 |
| | | Yes | | 2*GK | UGLK1476 |
| | | Yes | 26 | 2*AF | UGLK1476 |
| | | Yes | | 2*AF | UGLK1476 |
| VG2431 VM | 4" | Yes | 14 | AF | UGLK1410 |
| | | Yes | | 2*GK | UGLK1476 |
| | | Yes | 26 | 2*AF | UGLK1476 |
| | | Yes | | 2*AF | UGLK1476 |
| VG2831 VM | 4" | Yes | 14 | AF | UGLK1410 |
| | | Yes | | 2*GK | UGLK1476 |
| | | Yes | 52 | 2*GK | UGLK1476 |
| | | Yes | | 2*AF | UGLK1476 |
| VG2231 WN | 5" | Yes | 10 | AF | UGLK1414 |
| | | Yes | | 2*AF | UGLK1480 |
| | | Yes | 14 | GK | UGLK1414 |
| | | Yes | | 2*GK | UGLK1480 |

Tech.Doc - 07/14 - Subject to change. © Belimo Aircontrols (USA), Inc.

All close-off pressures listed are approximate and based on valve condition and application.



| Valve Body Model | Size | Fail-Safe | Close-Off psi | Belimo Actuator Series | Belimo Linkage |
|-----------------------------------|------|-----------|---------------|------------------------|----------------|
| VG2431 WN | 5" | Yes | 10 | AF | UGLK1414 |
| | | Yes | 14 | 2*AF | UGLK1480 |
| | | Yes | | GK | UGLK1414 |
| | | Yes | 22 | 2*GK | UGLK1480 |
| VG2831 WN | 5" | Yes | 10 | AF | UGLK1414 |
| | | Yes | 14 | 2*AF | UGLK1480 |
| | | Yes | | GK | UGLK1414 |
| | | Yes | 22 | 2*GK | UGLK1480 |
| VG2231 YN | 6" | Yes | 10 | 2*AF | UGLK1480 |
| | | Yes | | GK | UGLK1414 |
| | | Yes | 22 | 2*GK | UGLK1480 |
| VG2431 YN | 6" | Yes | 10 | 2*AF | UGLK1480 |
| | | Yes | | GK | UGLK1414 |
| | | Yes | 22 | 2*GK | UGLK1480 |
| VG2831 YN | 6" | Yes | 10 | 2*AF | UGLK1480 |
| | | Yes | | GK | UGLK1414 |
| | | Yes | 22 | 2*GK | UGLK1480 |
| V-5210-4595 | 2½" | Yes | 38 | AF | UGLK1412 |
| | | Yes | | 2*GK | UGLK1478 |
| | | No | 136 | RV | FGVL |
| | | Yes | | 2*AF | UGLK1478 |
| | | Yes | 75 | AVK | FGVL |
| | | No | | RV | FGVL |
| V-5210-4596 | 3" | Yes | | 2*AF | UGLK1478 |
| | | Yes | 52 | AVK | FGVL |
| | | No | | EV | FGVL |
| | | Yes | 26 | AF | UGLK1412 |
| | | Yes | 93 | 2*GK | UGLK1478 |
| | | No | | RV | FGVL |
| V-5210-4597 | 4" | Yes | 14 | AF | UGLK1412 |
| | | Yes | 52 | 2*GK | UGLK1478 |
| | | No | | RV | FGVL |
| | | Yes | 26 | 2*AF | UGLK1478 |
| V-5210-4597 | 4" | Yes | | AVK | FGVL |
| | | No | 26 | EV | FGVL |
| | | Yes | 14 | AF | UGLK1412 |
| | | Yes | 52 | 2*GK | UGLK1478 |
| V-5252-(15, 16, 37) | 4" | No | | RV | FGVL |
| | | Yes | 52 | 2*GK | UGLK1478 |
| | | Yes | | 2*AF | UGLK1478 |
| | | Yes | 26 | AVK | FGVL |
| | | No | | EV | FGVL |
| V-5252-(2, 4, 5, 6, 7, 8, 32, 33) | 2½" | Yes | 52 | AF | UGLK1404 |
| | | No | | EV | FGVL |
| | | Yes | | AVK | FGVL |
| | | No | 110 | RV | FGVL |
| V-5252-(4, 5, 6, 7, 8, 32, 33) | 2½" | Yes | 110 | 2*AF | UGLK1472 |
| | | Yes | 211 | 2*GK | UGLK1472 |
| V-5252-(9, 10, 11, 34) | 3" | Yes | 52 | AVK | FGVL |
| | | No | | EV | FGVL |
| | | Yes | 77 | 2*AF | UGLK1472 |
| | | Yes | 38 | AF | UGLK1404 |
| | | Yes | 136 | 2*GK | UGLK1472 |
| | | No | 93 | RV | FGVL |
| V-5410-4595 | 2½" | Yes | 38 | AF | UGLK1412 |
| | | Yes | 136 | 2*GK | UGLK1478 |
| | | No | | RV | FGVL |
| | | Yes | | 2*AF | UGLK1478 |
| | | Yes | 75 | AVK | FGVL |
| | | No | | RV | FGVL |
| V-5410-4596 | 3" | Yes | 52 | 2*AF | UGLK1478 |
| | | Yes | | AVK | FGVL |
| | | No | | EV | FGVL |
| | | Yes | 26 | AF | UGLK1412 |
| | | Yes | 93 | 2*GK | UGLK1478 |
| | | No | | RV | FGVL |

All close-off pressures listed are approximate and based on valve condition and application.



Johnson Controls
V-54, V-58 Series Valves
Linkage/Actuator Selection Guide

| Valve Body Model | Size | Fail-Safe | Close-Off psi | Belimo Actuator Series | Belimo Linkage |
|-------------------|------|-----------|---------------|------------------------|----------------|
| V-5410-4597 | 4" | Yes | 14 | AF | UGLK1412 |
| | | Yes | 52 | 2*GK | UGLK1478 |
| | | No | | RV | FGVL |
| | | Yes | 26 | 2*AF | UGLK1478 |
| | | Yes | | AVK | FGVL |
| V-5462-(6, 7, 34) | 2½" | No | 52 | EV | FGVL |
| | | Yes | | AF | UGLK1404 |
| | | No | EV | FGVL | |
| | | Yes | 110 | 2*AF | UGLK1472 |
| | | Yes | | AVK | FGVL |
| | | No | 211 | RV | FGVL |
| | | Yes | | 2*GK | UGLK1472 |
| V-5462-10 | 3" | No | 52 | RV | FGVL |
| | | Yes | | 2*AF | UGLK1478 |
| | | Yes | AVK | FGVL | |
| | | No | 26 | EV | FGVL |
| | | Yes | | AF | UGLK1412 |
| | | Yes | 93 | 2*GK | UGLK1478 |
| V-5462-13 | 4" | No | 14 | RV | FGVL |
| | | Yes | | AF | UGLK1412 |
| | | Yes | 52 | 2*GK | UGLK1478 |
| | | No | | RV | FGVL |
| | | Yes | 26 | 2*AF | UGLK1478 |
| | | Yes | | AVK | FGVL |
| V-5462-14 | 4" | No | 14 | EV | FGVL |
| | | Yes | | AF | UGLK1412 |
| | | Yes | 52 | 2*GK | UGLK1478 |
| | | No | | RV | FGVL |
| | | Yes | 26 | 2*AF | UGLK1478 |
| | | Yes | | AVK | FGVL |
| V-5462-36 | 3" | No | 52 | EV | FGVL |
| | | Yes | | 2*AF | UGLK1478 |
| | | Yes | AVK | FGVL | |
| | | No | 26 | EV | FGVL |
| | | Yes | | AF | UGLK1412 |
| V-5462-36 | 3" | Yes | 93 | 2*GK | UGLK1478 |
| | | No | RV | FGVL | |
| | | Yes | 26 | 2*GK | UGLK1478 |
| V-5462-38 | 4" | No | 14 | RV | FGVL |
| | | Yes | | AF | UGLK1412 |
| | | Yes | 52 | 2*GK | UGLK1478 |
| | | No | | RV | FGVL |
| | | Yes | 26 | 2*AF | UGLK1478 |
| | | Yes | | AVK | FGVL |
| V-5842-(7, 8, 31) | 2½" | No | 52 | EV | FGVL |
| | | Yes | | AF | UGLK1404 |
| | | No | EV | FGVL | |
| | | Yes | 110 | 2*AF | UGLK1472 |
| | | Yes | | AVK | FGVL |
| | | No | 211 | RV | FGVL |
| | | Yes | | 2*GK | UGLK1472 |
| V-5842-11 | 4" | No | 14 | RV | FGVL |
| | | Yes | | AF | UGLK1412 |
| | | Yes | 52 | 2*GK | UGLK1478 |
| | | No | | RV | FGVL |
| | | Yes | 26 | 2*AF | UGLK1478 |
| | | Yes | | AVK | FGVL |
| V-5842-12 | 4" | No | 14 | EV | FGVL |
| | | Yes | | AF | UGLK1412 |
| | | Yes | 52 | 2*GK | UGLK1478 |
| | | No | | RV | FGVL |
| | | Yes | 26 | 2*AF | UGLK1478 |
| | | Yes | | AVK | FGVL |
| No | EV | FGVL | | | |

Tech.Doc - 07/14 - Subject to change. © Belimo Aircontrols (USA), Inc.

All close-off pressures listed are approximate and based on valve condition and application.



| Valve Body Model | Size | Fail-Safe | Close-Off psi | Belimo Actuator Series | Belimo Linkage | |
|------------------|------|-----------|---------------|------------------------|----------------|----------|
| V-5842-17 | 3" | Yes | 52 | 2*AF | UGLK1478 | |
| | | Yes | | AVK | FGVL | |
| | | No | | EV | FGVL | |
| | | Yes | | AF | UGLK1412 | |
| | | Yes | | 2*GK | UGLK1478 | |
| | | No | | RV | FGVL | |
| V-5842-18 | 3" | Yes | 52 | 2*AF | UGLK1478 | |
| | | Yes | | AVK | FGVL | |
| | | No | | EV | FGVL | |
| | | Yes | | AF | UGLK1412 | |
| | | Yes | | 2*GK | UGLK1478 | |
| | | No | | RV | FGVL | |
| V-5842-33 | 3" | Yes | 52 | 2*AF | UGLK1478 | |
| | | Yes | | AVK | FGVL | |
| | | No | | EV | FGVL | |
| | | Yes | | AF | UGLK1412 | |
| | | Yes | | 2*GK | UGLK1478 | |
| | | No | | RV | FGVL | |
| V-5842-34 | 4" | Yes | 14 | AF | UGLK1412 | |
| | | Yes | | 2*GK | UGLK1478 | |
| | | No | | RV | FGVL | |
| | | Yes | | 2*AF | UGLK1478 | |
| | | Yes | | 26 | AVK | FGVL |
| | | No | | EV | FGVL | |
| VB-3752-19 | 2½" | Yes | 52 | AF | UGLK1404 | |
| | | Yes | | 120 | AVK | FGVL |
| | | Yes | | 110 | 2*AF | UGLK1472 |
| | | Yes | | 211 | 2*GK | UGLK1472 |
| | | No | | 75 | EV | FGVL |
| | | No | | 200 | RV | FGVL |
| VB-3970-11 | 2½" | Yes | 52 | AF | UGLK1404 | |
| | | No | | EV | FGVL | |
| | | Yes | | 110 | 2*AF | UGLK1472 |
| | | Yes | | | AVK | FGVL |
| | | No | | | RV | FGVL |
| | | Yes | | | 211 | 2*GK |
| Yes | 52 | AF | UGLK1404 | | | |
| No | | EV | FGVL | | | |
| Yes | | 110 | 2*AF | UGLK1472 | | |
| Yes | | 110 | AVK | FGVL | | |
| No | | RV | FGVL | | | |
| Yes | | 211 | 2*GK | UGLK1472 | | |
| VB-4322-9 | 2½" | Yes | 52 | AF | UGLK1404 | |
| | | No | | EV | FGVL | |
| | | Yes | | 110 | 2*AF | UGLK1472 |
| VB-4322-9 | 2½" | Yes | 110 | AVK | FGVL | |
| | | No | | RV | FGVL | |
| | | Yes | | 211 | 2*GK | UGLK1472 |
| VG2231 TM | 2½" | Yes | 110 | AVK | FGVL | |
| | | No | | EV | FGVL | |
| | | No | | 211 | RV | FGVL |
| VG2231 UN | 3" | Yes | 52 | AVK | FGVL | |
| | | No | | EV | FGVL | |
| | | No | | 93 | RV | FGVL |
| VG2231 VN | 4" | No | 52 | RV | FGVL | |
| | | Yes | | 26 | AVK | FGVL |
| | | No | | EV | FGVL | |
| VG2431 TM | 2½" | Yes | 110 | AVK | FGVL | |
| | | No | | EV | FGVL | |
| | | No | | 211 | RV | FGVL |
| VG2431 UN | 3" | Yes | 52 | AVK | FGVL | |
| | | No | | EV | FGVL | |
| | | No | | 93 | RV | FGVL |
| VG2431 VN | 4" | No | 52 | RV | FGVL | |
| | | Yes | | 26 | AVK | FGVL |
| | | No | | EV | FGVL | |
| VG2831 TM | 2½" | Yes | 110 | AVK | FGVL | |
| | | No | | EV | FGVL | |
| | | No | | 211 | RV | FGVL |
| VG2831 UN | 3" | Yes | 52 | AVK | FGVL | |
| | | No | | EV | FGVL | |
| | | No | | 93 | RV | FGVL |

All close-off pressures listed are approximate and based on valve condition and application.



| Valve Body Model | Size | Fail-Safe | Close-Off psi | Belimo Actuator Series | Belimo Linkage |
|-------------------------------|------|-----------|---------------|------------------------|----------------|
| VG2831 VN | 4" | No | 52 | RV | FGVL |
| | | Yes | 26 | AVK | FGVL |
| | | No | | EV | FGVL |
| VG2231 TM | 2½" | Yes | 52 | AF | UGLK1404 |
| | | Yes | 110 | 2*AF | UGLK1472 |
| | | Yes | 211 | 2*GK | UGLK1472 |
| VG2431 TM | 2½" | Yes | 52 | AF | UGLK1404 |
| | | Yes | 110 | 2*AF | UGLK1472 |
| | | Yes | 211 | 2*GK | UGLK1472 |
| VG2831 TM | 2½" | Yes | 52 | AF | UGLK1404 |
| | | Yes | 110 | 2*AF | UGLK1472 |
| | | Yes | 211 | 2*GK | UGLK1472 |
| VG2231 UN | 3" | Yes | 52 | AF | UGLK1404 |
| | | Yes | 110 | 2*AF | UGLK1472 |
| | | Yes | 211 | 2*GK | UGLK1472 |
| VG2431 UN | 3" | Yes | 52 | AF | UGLK1404 |
| | | Yes | 110 | 2*AF | UGLK1472 |
| | | Yes | 211 | 2*GK | UGLK1472 |
| VG2831 UN | 3" | Yes | 52 | AF | UGLK1404 |
| | | Yes | 110 | 2*AF | UGLK1472 |
| | | Yes | 211 | 2*GK | UGLK1472 |
| VG2231 VN | 4" | Yes | 14 | AF | UGLK1412 |
| | | Yes | 52 | 2*GK | UGLK1478 |
| | | Yes | 26 | 2*AF | UGLK1478 |
| VG2431 VN | 4" | Yes | 14 | AF | UGLK1412 |
| | | Yes | 52 | 2*GK | UGLK1478 |
| | | Yes | 26 | 2*AF | UGLK1478 |
| VG2831 VN | 4" | Yes | 14 | AF | UGLK1412 |
| | | Yes | 52 | 2*GK | UGLK1478 |
| | | Yes | 26 | 2*AF | UGLK1478 |
| V(B)-3754 Series, Bronze Trim | ¾" | Yes | 211 | LVK | UGVL |
| | | No | | LV | UGVL |
| | 1" | Yes | 93 | LVK | UGVL |
| | | No | | LV | UGVL |
| | | No | 236 | SV | UGVL |
| | Yes | SVK | | UGVL | |
| 1¼" | No | 236 | SV | UGVL | |
| | Yes | | SVK | UGVL | |
| 1½" | No | 160 | SV | UGVL | |
| | Yes | | SVK | UGVL | |
| V(B)-3754 Series, Bronze Trim | 1½" | Yes | 160 | SVK | UGVL |
| | | No | | SV | UGVL |
| 2" | No | 85 | SV | UGVL | |
| | Yes | | SVK | UGVL | |
| V(B)-3974 Series, Bronze Trim | ¾" | Yes | 211 | LVK | UGVL |
| | | No | | LV | UGVL |
| | 1" | Yes | 93 | LVK | UGVL |
| | | No | | LV | UGVL |
| | | No | 236 | SV | UGVL |
| | Yes | SVK | | UGVL | |
| | 1¼" | No | 236 | SV | UGVL |
| | | Yes | | SVK | UGVL |
| | 1½" | No | 160 | SV | UGVL |
| | | Yes | | SVK | UGVL |
| | 2" | No | 85 | SV | UGVL |
| | | Yes | | SVK | UGVL |
| V(B)-4324 Series, Bronze Trim | ¾" | Yes | 211 | LVK | UGVL |
| | | No | | LV | UGVL |
| | 1" | Yes | 93 | LVK | UGVL |
| | | No | | LV | UGVL |
| | | No | 236 | SV | UGVL |
| | Yes | SVK | | UGVL | |
| | 1¼" | No | 236 | SV | UGVL |
| | | Yes | | SVK | UGVL |
| | 1½" | No | 160 | SV | UGVL |
| | | Yes | | SVK | UGVL |
| | 2" | No | 85 | SV | UGVL |
| | | Yes | | SVK | UGVL |

Tech.Doc - 07/14 - Subject to change. © Belimo Aircontrols (USA), Inc.

All close-off pressures listed are approximate and based on valve condition and application.

Johnson Controls

VB-58..., V-43, VG70, V-37, V-38, V-39 Series Valves

Linkage/Actuator Selection Guide



| Valve Body Model | Size | Fail-Safe | Close-Off psi | Belimo Actuator Series | Belimo Linkage |
|------------------------------|------|-----------|---------------|------------------------|----------------|
| V(B)-5844 Series | ¾" | Yes | 211 | LVK | UGVL |
| | | No | | LV | UGVL |
| | 1" | Yes | 93 | LVK | UGVL |
| | | No | | LV | UGVL |
| | | No | 236 | SV | UGVL |
| | | Yes | | SVK | UGVL |
| | 1¼" | No | 236 | SV | UGVL |
| | | Yes | | SVK | UGVL |
| | 1½" | No | 160 | SV | UGVL |
| | | Yes | | SVK | UGVL |
| | 2" | No | 85 | SV | UGVL |
| | | Yes | | SVK | UGVL |
| V-4332 | ¾" | Yes | 211 | LVK | UGVL |
| | | No | | LV | UGVL |
| | 1" | Yes | 93 | LVK | UGVL |
| | | No | | LV | UGVL |
| | | No | 236 | SV | UGVL |
| | | Yes | | SVK | UGVL |
| | 1¼" | No | 236 | SV | UGVL |
| | | Yes | | SVK | UGVL |
| | 1½" | No | 160 | SV | UGVL |
| | | Yes | | SVK | UGVL |
| | 2" | No | 85 | SV | UGVL |
| | | Yes | | SVK | UGVL |
| VG7000 Series | ½" | Yes | 236 | LVK | UGVL |
| | | No | | LV | UGVL |
| | ¾" | Yes | 211 | LVK | UGVL |
| | | No | | LV | UGVL |
| | 1" | Yes | 93 | LVK | UGVL |
| | | No | | LV | UGVL |
| | | No | 236 | SV | UGVL |
| | | Yes | | SVK | UGVL |
| | 1¼" | No | 236 | SV | UGVL |
| | | Yes | | SVK | UGVL |
| | 1½" | No | 160 | SV | UGVL |
| | | Yes | | SVK | UGVL |
| 2" | No | 85 | SV | UGVL | |
| | Yes | | SVK | UGVL | |
| V-3754-(4, 1008, 1022, 1026) | ¾" | Yes | 211 | LF | UGLK1550 |
| V-3754-(5, 1010, 1023, 1027) | 1" | Yes | 236 | AF | UGLK1402 |
| | | Yes | 173 | NF | UGLK1402 |
| V-3754-(6, 1028, 1029, 1030) | 1½" | Yes | 77 | NF | UGLK1402 |
| | | Yes | 153 | AF | UGLK1402 |
| | | Yes | 211 | 2*AF | UGLK1478 |
| | | Yes | 236 | GK | UGLK1402 |
| | | Yes | 40 | NF | UGLK1406 |
| V-3754-7 | 2" | Yes | 236 | 2*GK | UGLK1474 |
| | | No | | 2*GM | UGLK1474 |
| | | Yes | 86 | AF | UGLK1406 |
| | | Yes | 173 | 2*AF | UGLK1474 |
| | | Yes | | GK | UGLK1406 |
| | | No | | GM | UGLK1406 |
| V-3754-8 | 1¼" | Yes | 110 | NF | UGLK1402 |
| | | Yes | 221 | AF | UGLK1402 |
| V-3766 | ½" | Yes | 236 | LF | UGLK1552 |
| | | No | | LM | UGLK1552 |
| V-3854-5 | ½" | Yes | 236 | LF | UGLK1554 |
| | | No | | LM | UGLK1554 |
| V-3966 | ½" | Yes | 236 | LF | UGLK1552 |
| | | No | | LM | UGLK1552 |
| V-3974-(4, 1004, 1010) | ¾" | Yes | 211 | LF | UGLK1550 |
| V-3974-(5, 1005, 1011) | 1" | Yes | 236 | AF | UGLK1402 |
| | | Yes | 173 | NF | UGLK1402 |

All close-off pressures listed are approximate and based on valve condition and application.



| Valve Body Model | Size | Fail-Safe | Close-Off psi | Belimo Actuator Series | Belimo Linkage |
|------------------------------|------|-----------|---------------|------------------------|----------------|
| V-3974-(6, 1012, 1013) | 1½" | Yes | 77 | NF | UGLK1402 |
| | | Yes | 153 | AF | UGLK1402 |
| | | Yes | 211 | 2*AF | UGLK1478 |
| | | Yes | 236 | GK | UGLK1402 |
| V-3974-7 | 2" | Yes | 40 | NF | UGLK1406 |
| | | Yes | 236 | 2*GK | UGLK1474 |
| | | No | | 2*GM | UGLK1474 |
| | | Yes | 86 | AF | UGLK1406 |
| | | Yes | 173 | 2*AF | UGLK1474 |
| | | Yes | | GK | UGLK1406 |
| | | No | | GM | UGLK1406 |
| V-4324-(4, 1005, 1006, 1013) | ¾" | Yes | 211 | LF | UGLK1550 |
| V-4324-(5, 1007, 1008, 1014) | 1" | Yes | 236 | AF | UGLK1402 |
| | | Yes | 173 | NF | UGLK1402 |
| V-4324-(6,1015, 1016, 1017) | 1½" | Yes | 77 | NF | UGLK1402 |
| | | Yes | 153 | AF | UGLK1402 |
| V-4324-(6,1015, 1016, 1017) | 1½" | Yes | 211 | 2*AF | UGLK1478 |
| | | Yes | 236 | GK | UGLK1402 |
| | | Yes | 40 | NF | UGLK1406 |
| | | Yes | 236 | 2*GK | UGLK1474 |
| | | No | | 2*GM | UGLK1474 |
| | | Yes | 86 | AF | UGLK1406 |
| V-4324-7 | 2" | Yes | 173 | 2*AF | UGLK1474 |
| | | Yes | | GK | UGLK1406 |
| | | No | GM | UGLK1406 | |
| | | Yes | 110 | NF | UGLK1402 |
| | | Yes | 221 | AF | UGLK1402 |
| | | V-4332 | ½" | Yes | 236 |
| No | LV | | | UGVL | |
| V-5254-(1, 2, 3, 11) | 1½" | Yes | 77 | NF | UGLK1404 |
| | | Yes | 153 | AF | UGLK1404 |
| | | No | | AM | UGLK1404 |
| | | Yes | 236 | 2*AF | UGLK1472 |
| | | Yes | | GK | UGLK1404 |
| | | No | | GM | UGLK1404 |
| V-5254-(4, 5, 6, 12) | 2" | Yes | 40 | NF | UGLK1406 |
| | | Yes | 236 | 2*GK | UGLK1474 |
| | | No | | 2*GM | UGLK1474 |
| | | Yes | 86 | AF | UGLK1406 |
| | | No | AM | UGLK1406 | |
| | | Yes | 173 | 2*AF | UGLK1474 |
| | | Yes | | GK | UGLK1406 |
| | | No | | GM | UGLK1406 |
| V-5464-(1, 2, 11) | 1½" | Yes | 77 | NF | UGLK1404 |
| | | Yes | 153 | AF | UGLK1404 |
| | | No | | AM | UGLK1404 |
| | | Yes | 236 | 2*AF | UGLK1472 |
| | | Yes | | GK | UGLK1404 |
| | | No | | GM | UGLK1404 |
| V-5464-(3, 4, 12) | 2" | Yes | 40 | NF | UGLK1406 |
| | | Yes | 236 | 2*GK | UGLK1474 |
| | | No | | 2*GM | UGLK1474 |
| | | Yes | 86 | AF | UGLK1406 |
| | | No | AM | UGLK1406 | |
| | | Yes | 173 | 2*AF | UGLK1474 |
| | | Yes | | GK | UGLK1406 |
| | | No | | GM | UGLK1406 |
| V-5844-(1, 2, 3, 11) | 1½" | Yes | 77 | NF | UGLK1404 |
| | | Yes | 153 | AF | UGLK1404 |
| | | Yes | 236 | 2*AF | UGLK1472 |
| | | No | | 2*GM | UGLK1472 |
| | | Yes | | GK | UGLK1404 |

Tech.Doc - 07/14 - Subject to change. © Belimo Aircontrols (USA), Inc.

All close-off pressures listed are approximate and based on valve condition and application.

Johnson Controls

V-58, VG-7..., VTM Series Valves
Linkage/Actuator Selection Guide

Robertshaw

V6700, V6800, V6600 Series Valves
Linkage/Actuator Selection Guide

Siebe\Invensys\Barber Colman

VB7000 Series Valves
Linkage/Actuator Selection Guide



| Valve Body Model | Size | Fail-Safe | Close-Off psi | Belimo Actuator Series | Belimo Linkage |
|---|------|-----------|---------------|------------------------|----------------|
| V-5844-(4, 5, 6, 12) | 2" | Yes | 40 | NF | UGLK1406 |
| | | Yes | 236 | 2*GK | UGLK1474 |
| | | No | | 2*GM | UGLK1474 |
| | | Yes | 86 | AF | UGLK1406 |
| | | Yes | 173 | 2*AF | UGLK1474 |
| | | No | | GK | UGLK1406 |
| VG7XXX-(C, E, GT) *Threaded Stem Only | ½" | Yes | 236 | LF | UGLK1416 |
| VG7XXX-LT *Threaded Stem Only | ¾" | Yes | 169 | LF | UGLK1416 |
| VG7XXX-NT *Threaded Stem Only | 1" | Yes | 93 | LF | UGLK1418 |
| VG7XXX-PT *Threaded Stem Only | 1¼" | Yes | 65 | LF | UGLK1418 |
| VG7XXX-RT *Threaded Stem Only | 1½" | Yes | 26 | LF | UGLK1420 |
| | | Yes | 77 | NF | UGLK1422 |
| | | Yes | 236 | GK | UGLK1422 |
| | | No | | GM | UGLK1422 |
| VG7XXX-ST *Threaded Stem Only | 2" | Yes | 14 | LF | UGLK1420 |
| | | Yes | 40 | NF | UGLK1422 |
| | | Yes | 153 | AF | UGLK1422 |
| | | Yes | 86 | AF | UGLK1422 |
| | | Yes | 173 | GK | UGLK1422 |
| | | No | | GM | UGLK1422 |
| VTM-TN-(007, 019, 047)*Threaded Stem Only | ½" | Yes | 236 | LF | UGLK1550 |
| | | No | | LM | UGLK1550 |
| ROBERTSHAW | | | | | |
| V6700 | ½" | Yes | 236 | LVK | UGVL |
| | | No | | LV | UGVL |
| | 1" | Yes | 93 | LVK | UGVL |
| | | No | | LV | UGVL |
| | | Yes | 236 | SV | UGVL |
| | | Yes | | SVK | UGVL |
| | 1¼" | No | 236 | SV | UGVL |
| | | Yes | | SVK | UGVL |
| | 1½" | Yes | 160 | SVK | UGVL |
| | | No | 85 | SV | UGVL |
| | 2" | Yes | | 85 | SVK |
| | | Yes | | SVK | UGVL |
| V6700, V6800 | ¾" | Yes | 211 | LVK | UGVL |
| | | No | | LV | UGVL |
| V6600 | ½" | Yes | 236 | LVK | UGVL |
| | | No | | LV | UGVL |
| | ¾" | Yes | 211 | LVK | UGVL |
| | | No | | LV | UGVL |
| | | Yes | 93 | LVK | UGVL |
| | | No | | LV | UGVL |
| | 1" | No | 236 | SV | UGVL |
| | | Yes | | SVK | UGVL |
| | | Yes | | SVK | UGVL |
| | 1¼" | No | 236 | SV | UGVL |
| | | Yes | | SVK | UGVL |
| | 1½" | No | 160 | SV | UGVL |
| Yes | | SVK | | UGVL | |
| 2" | No | 85 | SV | UGVL | |
| | Yes | | SVK | UGVL | |
| V6700 | 1½" | No | 160 | SV | UGVL |
| SIEBE \ INVENSYS \ BARBER COLMAN | | | | | |
| VB7000 series | ½" | Yes | 236 | LVK | SGVL |
| | | No | | LV | SGVL |
| | ¾" | Yes | 211 | LVK | SGVL |
| | | No | | LV | SGVL |
| | 1" | Yes | 93 | LVK | SGVL |
| | | No | | SV | SGVL |
| | | No | 236 | SV | SGVL |
| | | Yes | | SVK | SGVL |
| | 1¼" | No | 236 | SV | SGVL |
| | | Yes | | SVK | SGVL |
| | 1½" | No | 160 | SV | SGVL |
| | | Yes | | SVK | SGVL |

All close-off pressures listed are approximate and based on valve condition and application.

UGLK Collars

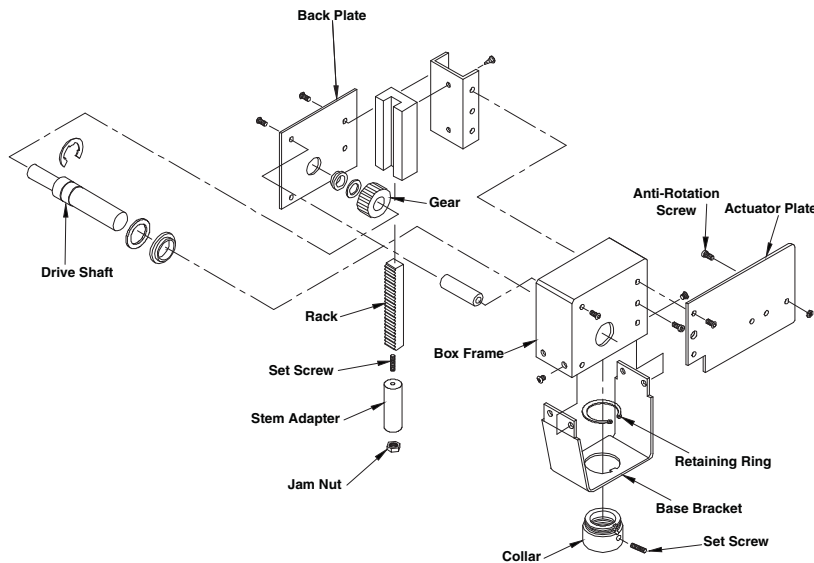
| Part Number | Inside Diameter | Description | Most Commonly Used Valve Style | | | | |
|---------------|------------------|---|--------------------------------|---------|---------|---------|---------|
| | | | Style 1 | Style 2 | Style 3 | Style 4 | Style 5 |
| UGLK-COL-1005 | 1.000" | 3 setscrews, for frame type | | • | | | |
| UGLK-COL-1063 | 1.063" | 3 setscrews, for frame type | | • | | | |
| UGLK-COL-1100 | 1.100" | 3 setscrews, for frame type, counterbored top | | | | • | |
| UGLK-COL-1255 | 1.250" | 3 setscrews, for frame type | | • | | | |
| UGLK-COL-1315 | 1.315" | 3 setscrews, for frame type, can be used with VB7 with shim | | | • | | |
| UGLK-COL-1375 | 1.375" | 3 setscrews, for frame type | | • | | | |
| UGLK-COL-BC10 | 1.250" - 16 Thd. | Fits Siebe VB7/VB9. Use on frame type only | • | | | | |
| UGLK-COL-HY02 | 1.370" | 1 setscrew, for frame type | | | | | • |
| UGLK-COL-LG02 | 1.740" | 1 setscrew, for frame type | | | • | | |
| UGLK-COL-LG04 | 1.740" | 1 setscrew, for frame type | | | • | | |
| UGLK-COL-JC05 | 1.070" | 3 setscrews, for frame type | | • | | | |
| UGLK-COL-JC06 | 1.562" - 14 Thd. | Threaded, brass | | • | | | |
| UGLK-COL-JC08 | 0.760" | 3 setscrews, for frame type, counterbored top | | | | • | |
| UGLK-COL-JC15 | 1.070" | Ring, no setscrews | | • | | | |
| UGLK-COL-0880 | 0.880" | 3 setscrews, for frame type, counterbored top | | | | • | |
| UGLK-COL-WNUT | 1.375" - 20 Thd. | Replacement Warren nut. Will not go over damaged threads | | • | | | |
| UGLK-COL-AD01 | 1.250" - 16 Thd. | Fits Siebe VB7/VB9. For VB7 frame only | • | | | | |
| UGLK-COL-UNIV | Custom | 3 setscrews, for frame type. Must be machined | | • | • | • | • |

* Must reuse clip and set screws.

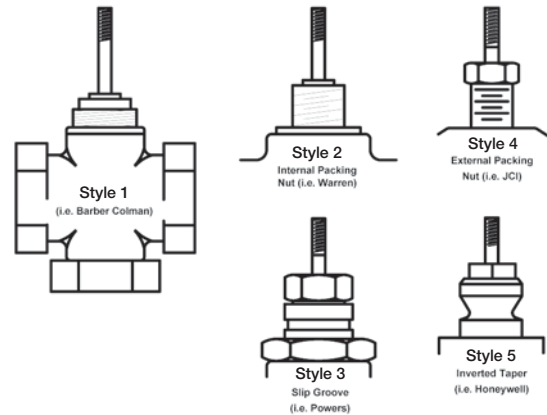
UGLK Stem Adapters

| Part Number | Inside Diameter | Description | Most Commonly Used Valve Style | | | | |
|---------------|----------------------|---|--------------------------------|---------|---------|---------|---------|
| | | | Style 1 | Style 2 | Style 3 | Style 4 | Style 5 |
| UGLK-STM-1800 | 1/4" - 28 Stem Thd. | Stem adapter for 1/4" - 28 valve stems | • | • | • | • | • |
| UGLK-STM-1801 | 3/8" - 24 Stem Thd. | Stem adapter for 3/8" - 24 valve stems | • | • | • | • | • |
| UGLK-STM-1802 | 1/2" - 20 Stem Thd. | Stem adapter for 1/2" - 20 valve stems | • | | | • | • |
| UGLK-STM-1803 | 7/16" - 20 Stem Thd. | Stem adapter for 7/16" - 20 valve stems | | | | | • |
| UGLK-STM-1501 | 3/8" - 24 Stem Thd. | For Warren FLG valves with UGLK | | • | | | |
| UGLK-STM-1805 | 3/8" OD Grooved | Landis 2.5-3" -599 Series | | | • | | |
| UGLK-STM-2305 | 1/2" OD Grooved | Landis 4-6" -599 Series | | | • | | |
| UGLK-STM-UNIV | Custom | Must be machined | • | • | • | • | • |

UGLK Stem Adapters



UGLK Collars



Tech.Doc - 07/14 - Subject to change. © Belimo Aircontrols (USA), Inc.



| WEATHER SHIELDS | | NON-SPRING RETURN | | | | SPRING RETURN | | | ELECTRONIC FAIL-SAFE | | | | 2* GM/GK |
|-------------------------------------|--|-------------------|----|----|----|---------------|----|----|----------------------|-----|-----|-----|-------------|
| | | LV | SV | EV | RV | LF | NF | AF | GK | LVK | SVK | AVK | |
| | ZS-SPGV-60 LF series on G2/G3 globe valve | | | | | • | | | | | | | |
| | ZS-SPGV-10 Dual AF series on flanged globe valve | | | | | | | • | | | | | |
| | ZS-SPGV-20 Single NF/AF series on G2/G3 (NF/AF) and flanged globe valve (AF) | | | | | | • | • | | | | | |
| | ZS-SPGV-40 GK series on flanged globe valve | | | | | | | | • | | | | |
| | ZS-SPGV-50 GK series on flanged globe valve | | | | | | | | | | | | • |
| | ZS-GV-001 Weather shield for LV/SV (cover only) | • | • | | | | | | | • | • | | |
| | ZS-GV-002 Weather shield for EV/RV/AVK (cover only) | | | • | • | | | | | | | • | |
| AUXILIARY SWITCHES & POTENTIOMETERS | | | | | | | | | | | | | |
| | S1A Auxiliary switch - 1x SPDT, 3A (0.5A inductive) @ 250 VAC | | | | | | | | | • | | | • |
| | S2A Auxiliary switch - 2x SPDT, 3A (0.5A inductive) @ 250 VAC | | | | | | | | | • | | | • |
| | S2A-GV Auxiliary switch - 2x SPDT, 3A (0.5A inductive) @ 250 VAC | • | • | • | • | | | | | • | • | • | |
| | P140A GR Feedback potentiometer 140 Ω | | | | | | | | | • | | | • |
| | P500A GR Feedback potentiometer 500 Ω | | | | | | | | | • | | | • |
| | P1000A GR Feedback potentiometer 1000 Ω | | | | | | | | | • | | | • |
| | P2800A GR Feedback potentiometer 2800 Ω | | | | | | | | | • | | | • |
| | P5000A GR Feedback potentiometer 5000 Ω | | | | | | | | | • | | | • |
| | P10000A GR Feedback potentiometer 10000 Ω | | | | | | | | | • | | | • |
| BATTERY BACKUPS | | | | | | | | | | | | | |
| | NSV24 US Battery backup module | • | • | • | • | | | | | | | | |
| | NSV-BAT 12VDC 1.2 AH battery (2 required) | • | • | • | • | | | | | | | | |

Note: Each NSV-24 US requires 2 NSV-BAT.

Tech.Doc - 07/14 - Subject to change. © Belimo Aircontrols (USA), Inc.